




LIGHTING SPECS	
Light Output (Lumens):	790 ± 10%
Power:	8 Watts
Efficacy (Lumens per Watt):	98.75 LM/W
Colour Accuracy (CRI):	80+
Light Colour:	3000K Warm White
LED Chip	Epistar
Trim Size:	3" (Actual: 3.35"/85mm)
Beam Angle:	36°
Dimmable	
IC Rated	
35,000 Life Hours	
3 Year Warranty	
Power Supply (Driver) Included	



Lighting Specs		3" ADJUSTABLE DOWNLIGHT	
ITEM NO.	GLK-8A3-3040		
Light Output (Lumens)	790		
Watts	8		
Lumens per Watt (Efficacy)	98.75		
Colour Accuracy	80+		
Colour Rendering Index (CRI)			
Light Colour	3000K (Warm White)		
			
2700K	3000K	4500K	6500K
8 Watt Warm White			

PHOTOMETRICS			
MOUNTING HEIGHT (FT.)	CENTER BEAM FOOT CANDLES (FC)	EDGE BEAM FOOT CANDLES (FC)	BEAM AREA COVERED (FT.)
5 FT.	41.3FC	25.0 FC	3'-3"
7 FT.	20.3FC	12.0 FC	4'-7"
9 FT.	13.0FC	7.4 FC	5'-5"
11 FT.	9.7FC	4.6 FC	7'-2"
13 FT.	6.5FC	3.8 FC	8'-5"
15 FT.	5.2FC	2.7 FC	9'-9"

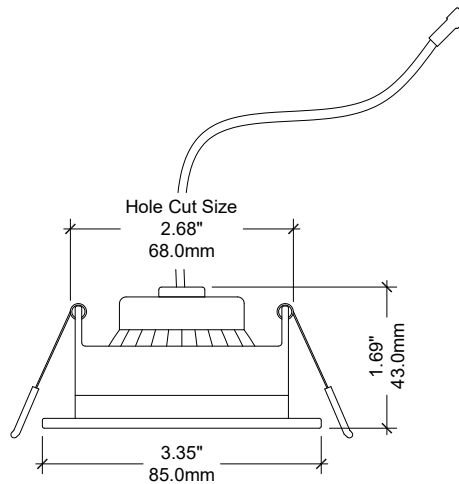
**ORDERING INFORMATION:**

1. Select Trim Colour:  
**GLK-8A3-3040-**

- W** - Matte White
- B** - Matte Black



**PRODUCT DIMENSIONS:**



**Power Supply (Driver) Size:**  
4"-9/16" x 1"-3/8" x 2"-7/16"  
(102mm x 35mm x 62mm)

**ACCESSORIES:**

Select Mount Plate for New Construction: **GL-MP3U**

