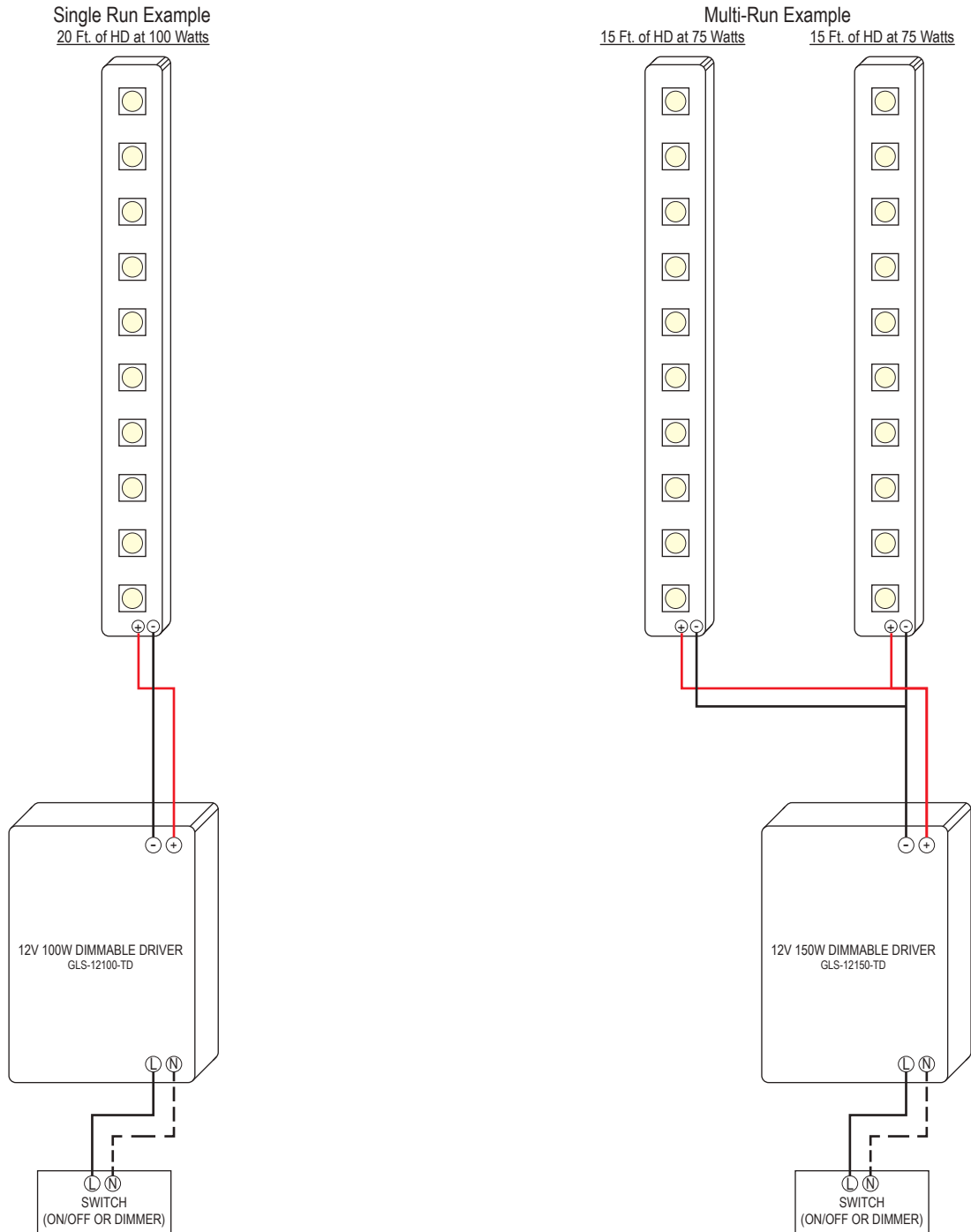


## LED RIBBON WIRING EXAMPLE

### High Density (5W/Ft.)

To avoid voltage drop it is recommended that you run no more than 20 foot lengths of ribbon. This includes all varieties of LED ribbon in both commercial and residential applications. In all commercial applications you must solder all the connections. In areas where the LED Ribbon is on for more than 5 hours continuously, it is recommended that you also solder those connections.

Glimmer Lighting uses the best two-sided tape available, but it is still recommended to use a bead of silicone during installation.



For more information please contact us.  
 Phone: (250) 878-3542 | Email: [info@glimmerlighting.com](mailto:info@glimmerlighting.com)

[www.glimmerlighting.com](http://www.glimmerlighting.com)