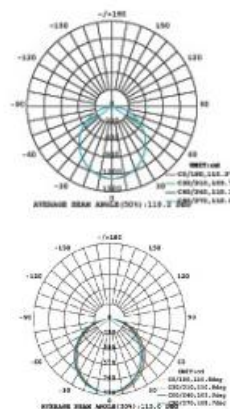
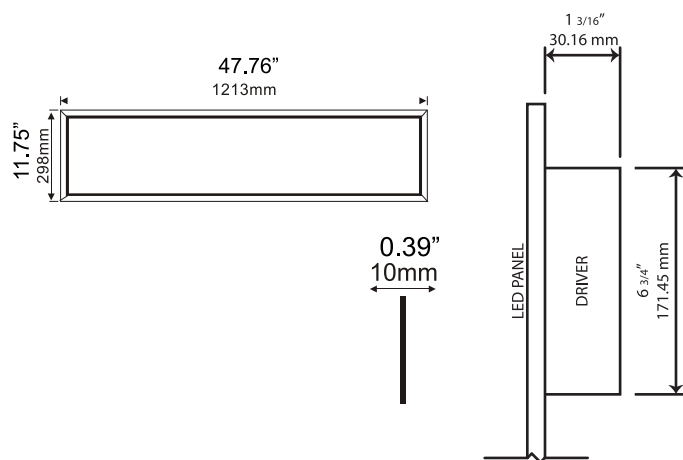




- ◇ High efficiency with low power consumption
- ◇ Very bright even in high ceiling areas
- ◇ High end extra long life LED and electronic driver
- ◇ No UV or IR radiation
- ◇ Environment-friendly (no mercury)
- ◇ Instant light with low running temperature
- ◇ Excellent CRI
- ◇ Dimmable



Model	GLD-1436-30K	GLD-1445-40K
Input Voltage	AC100-277V	AC100-277V
Power (W) ± /AMP	36W/0.40A	45W/0.95A
Frequency	50/60Hz	50/60Hz
CCT/Specified	3000K	4000K
CRI	≥80	≥80
Luminous Efficiency (lm/w)	120lm/w	105lm/w
Luminous Flux (lm)	4320lm	4725lm
Beam Angle (degrees)	120°	120°
Power Factor	>0.9	>0.9
LED Chips	2016	2016
Unit Size	298x1213x10mm 11.75" x 47.76" x 0.39"	298x1213x10mm 11.75" x 47.76" x 0.39"
Efficacy	105	105
Gross Weight	4.08kgs; 8.99 pds	4.08kgs; 8.99 pds
Protection Level	IP40	IP40
Function	Dimmable 0-10V	Dimmable 0-10V
Certificates	CE/RoHS/ULcUL/DLC/FCC	CE/RoHS/ULcUL/DLC/FCC
Lifespan	30,000 hours	30,000 hours
Warranty	5 years	5 years